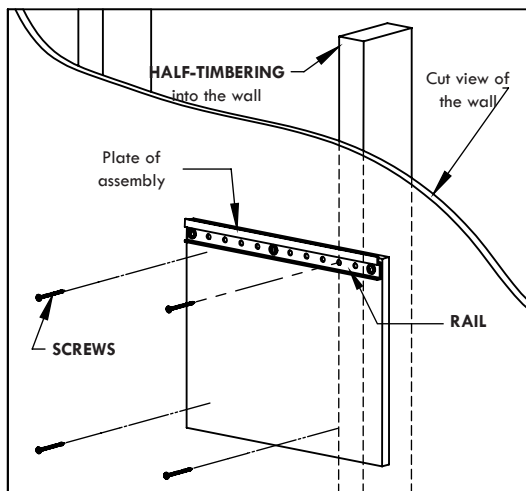
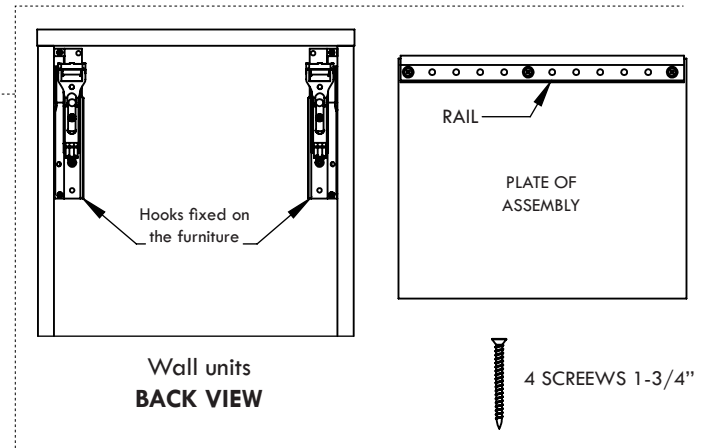


### Wall units

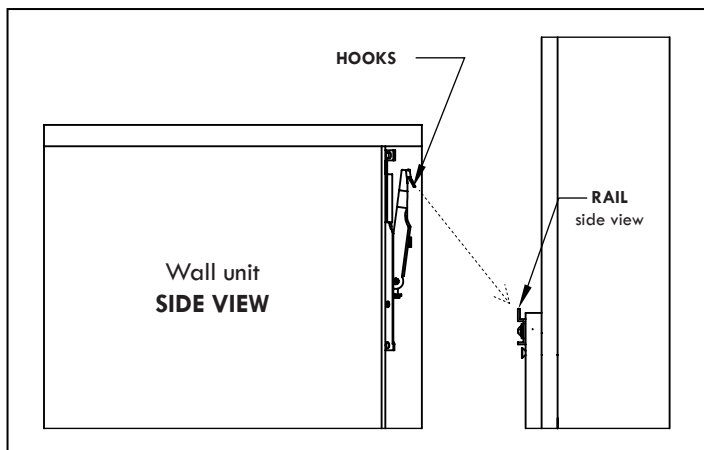
MATÉRIEL



#### STEP 1 - Fix the plates of assembly in the half-timbering

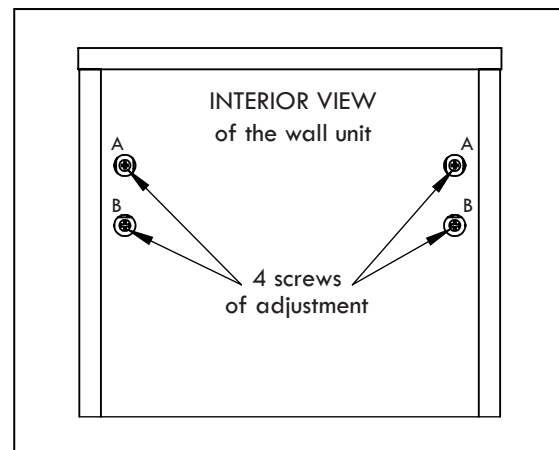
- Locate the half-timbering to fix solidly with 2 screws the wooden support provided with rail.
- Screw 2 screws on top, directly into the rail and 2 screws on the bottom of the plate of assembly.

**\*CAUTION :** Do not install the wall units on the gypse.



#### STEP 2 - Hang the furniture on the rail

- Put down the hooks of the wall unit on the rail fixed on the wall (STEP 1).



#### STEP 3 - (A) Tighten the 2 screws on top (B) Adjust horizontally with the bottom screws

- If the unit is not level, it's possible to adjust it by screwing or unscrewing the bottom screws (B) of the mechanism of anchoring. Well tighten the unit on the wall by screwing the top screws (A) of the mechanism of anchoring.

**\*\* VERIFY THAT THE UNIT IS SOLIDLY HOOKED ON THE WALL \*\***

Version 2.0 - Août 2013