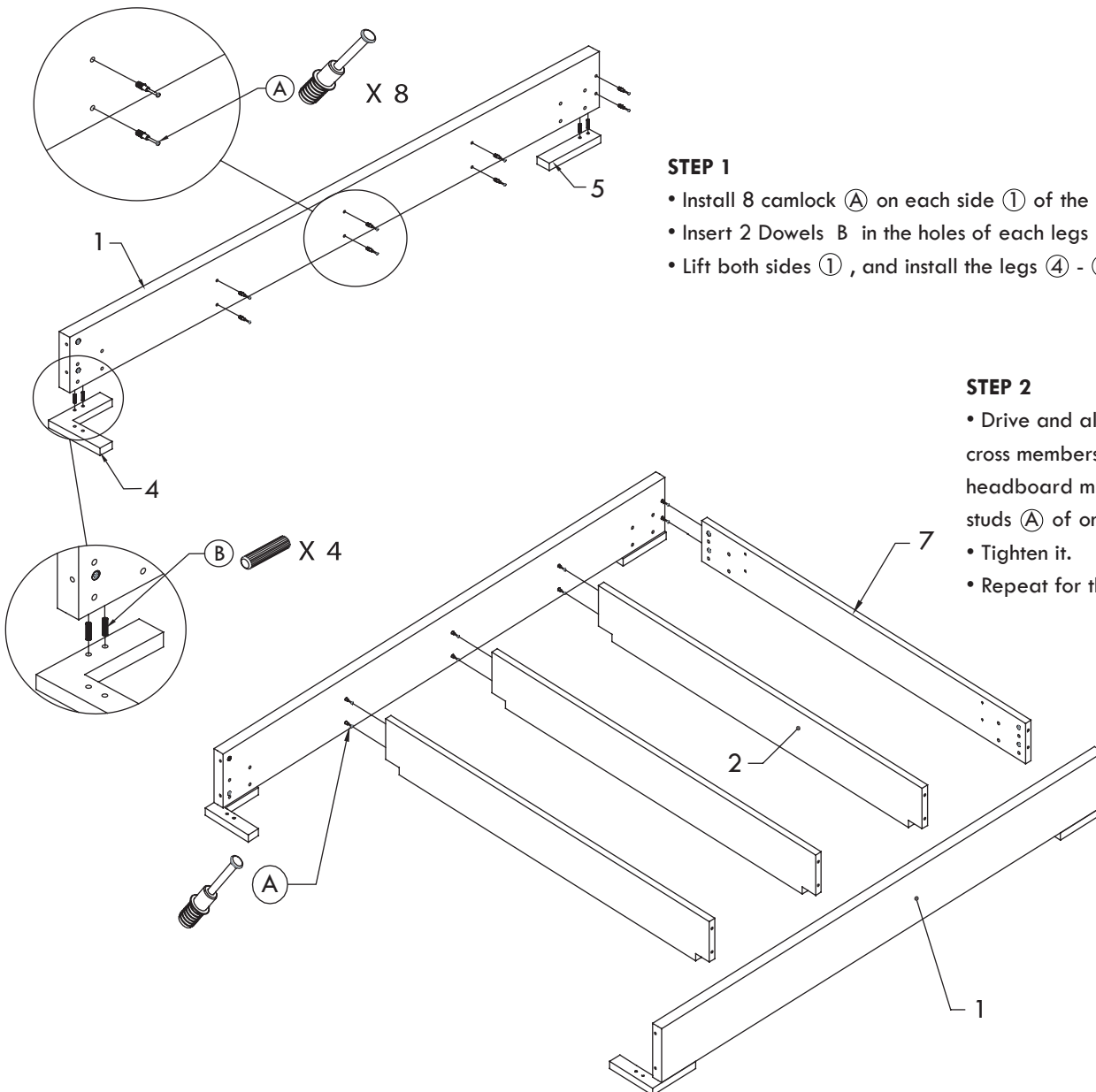


Base LF-60

Description of included parts

① Side	(X2)	Ⓐ Camlock	(X20)
② Central cross member	(X3)	Ⓑ Dowel	(X8)
③ Footboard	(X1)	Ⓒ Pan socket machine screw	(X32)
④ Footboard leg	(X2)	Ⓓ Washer	(X8)
⑤ Bedhead leg	(X2)	Ⓔ Bolt screw	(X4)
⑥ Corner bracket	(X4)	Ⓕ Lock nut	(X4)
⑦ Headboard member	(X1)		



STEP 1

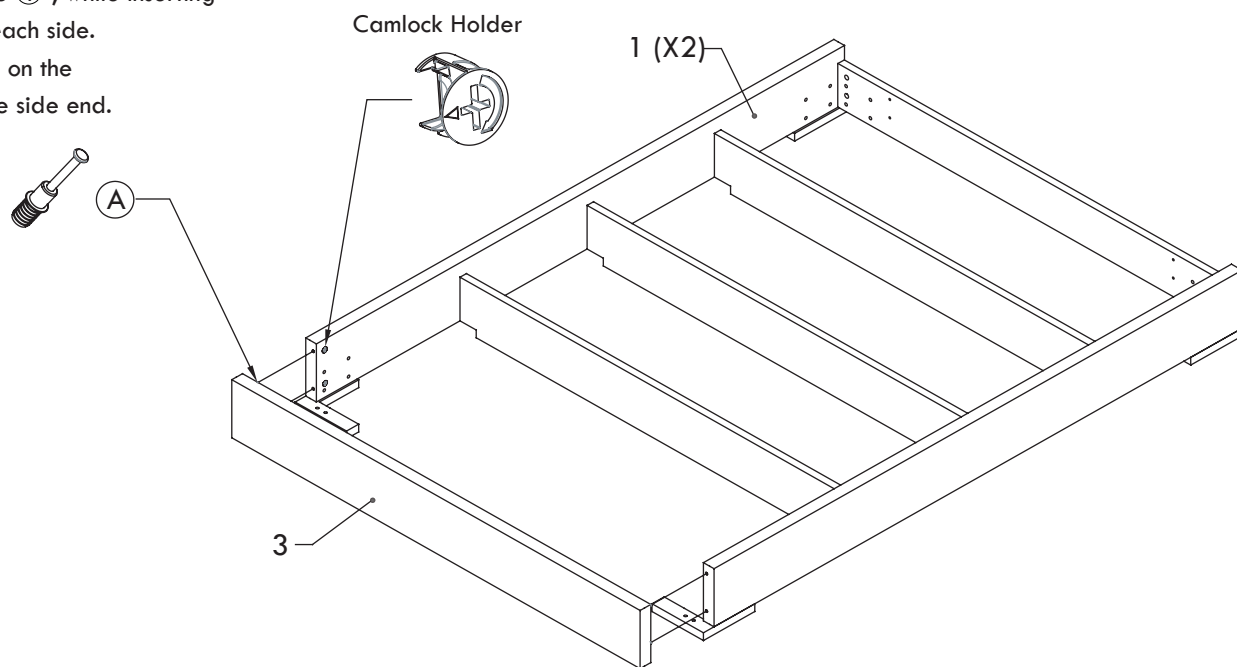
- Install 8 camlock Ⓐ on each side ① of the bed.
- Insert 2 Dowels B in the holes of each legs ④ - ⑤ .
- Lift both sides ① , and install the legs ④ - ⑤ .

STEP 2

- Drive and align one end of the central cross members ② and the end of the headboard member ⑦ with the camlock studs Ⓐ of one side ① .
- Tighten it.
- Repeat for the other side.

ÉTAPE 3

- Insert 4 camlock (A) in the footboard (3), drive them thru each side (1), while inserting the camlock holders on each side.
- Be sure that the arrows on the camlock holder points the side end.
- Tighten.



ÉTAPE 4

- Install 1 corner bracket (6) on each corner using the screws (C).
- Align the 4 holes of the bed head board with the holes of head board panel (7).
- Insert 1 washer (D), 1 bolt screw (E) in each of the 4 holes.
- Install 4 washers (D) on the screw, behind the bedhead board, follow with lock nut (F).
- Adjust the head and tighten it.
- Put the 4 boards supporting the mattress on the bed.

