

### Base LF-80

Description of included parts

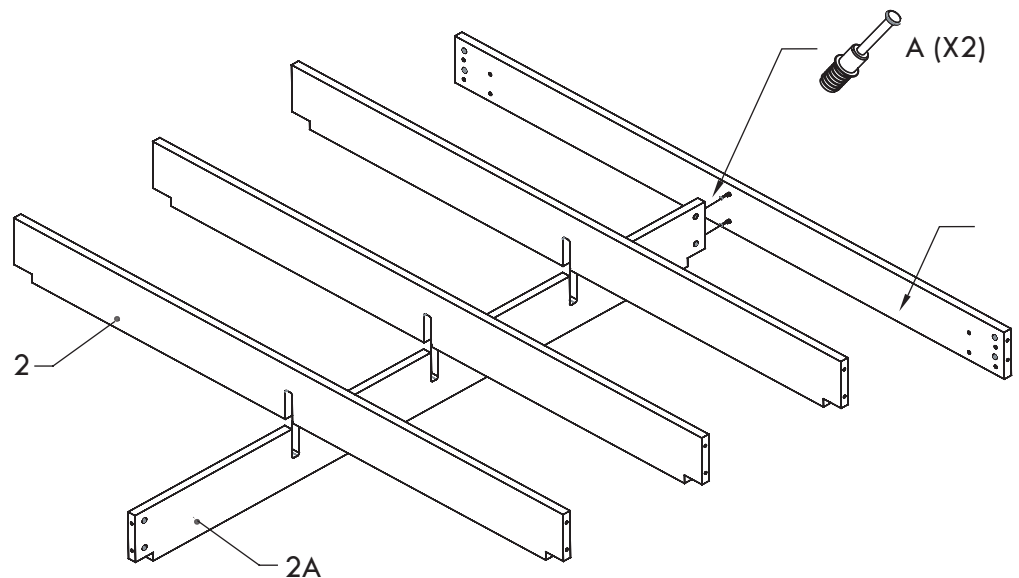
① Side	(X2)	Ⓐ Camlock	(X20)
② Short cross membe	(X3)	Ⓑ Wood stud	(X8)
②A Long cross member	(X1)	Ⓒ Round head screw	(X32)
③ Footboard	(X1)	Ⓓ Washer	(X8)
④ Footboard leg	(X2)	Ⓔ Hexagonal screw	(X4)
⑤ Bedhead leg	(X2)	Ⓕ Lock nut	(X4)
⑥ Corner bracket	(X4)		
⑦ Headboard panel	(X1)		

#### STEP 1

- Put the short cross members ② in the notch of the long cross member ②A.
- Insert 2 Camlock Ⓐ in the central holes of the headboard panel ⑦.
- Assemble the long cross member ②A with the headboard panel by aligning the camlock Ⓐ with the holes at the end of the cross member ②A.

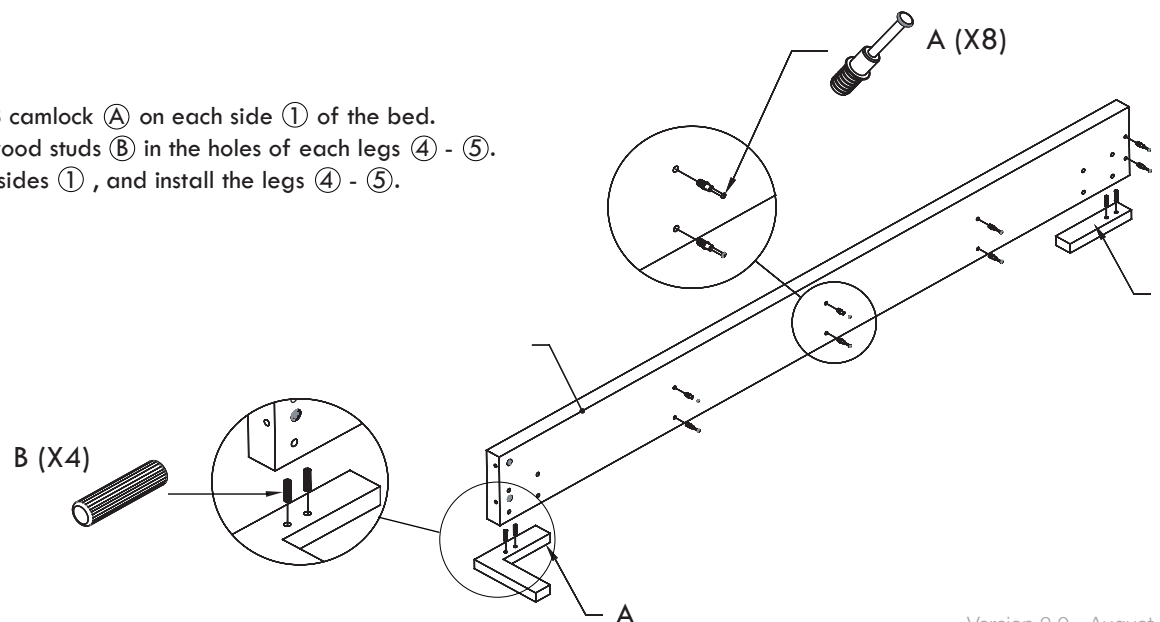
#### \*Note\*

That the arrow on the camlock holder must point outside.



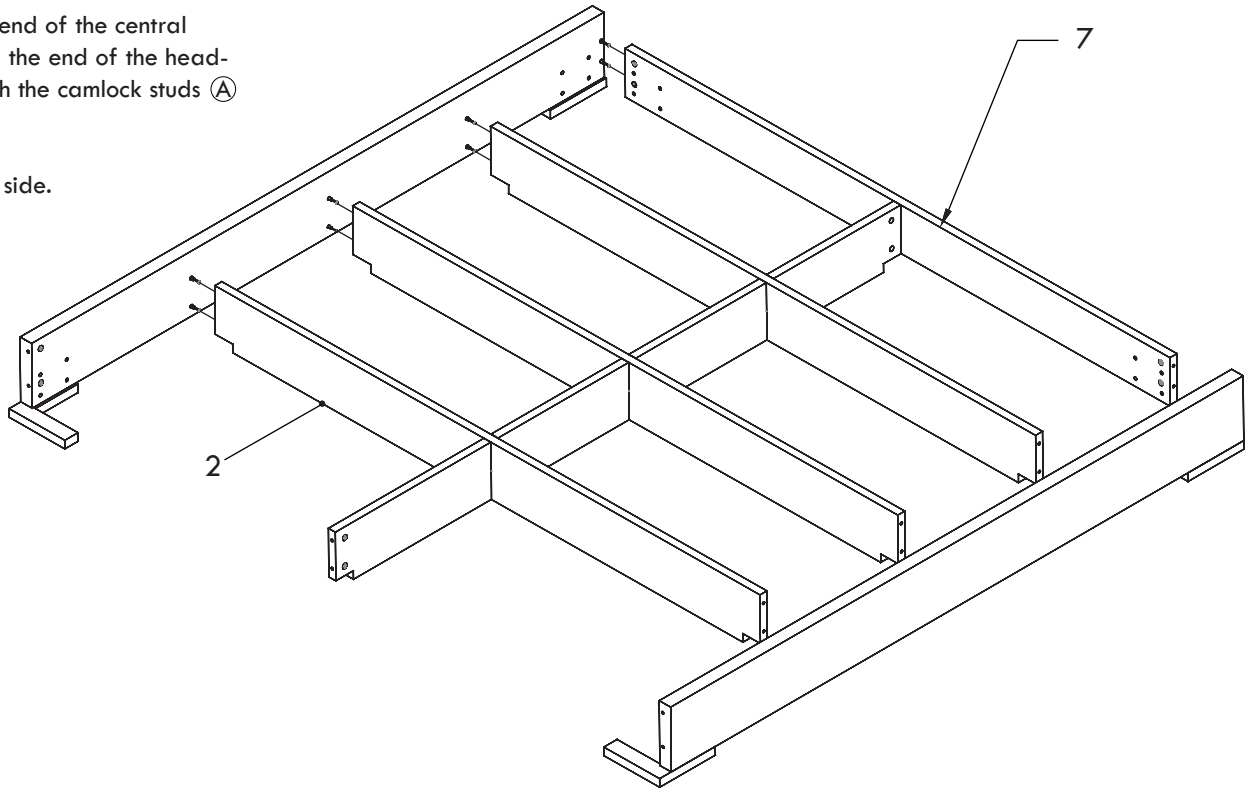
#### STEP 2

- Install 8 camlock Ⓐ on each side ① of the bed.
- Insert wood studs Ⓑ in the holes of each legs ④ - ⑤.
- Lift both sides ①, and install the legs ④ - ⑤.



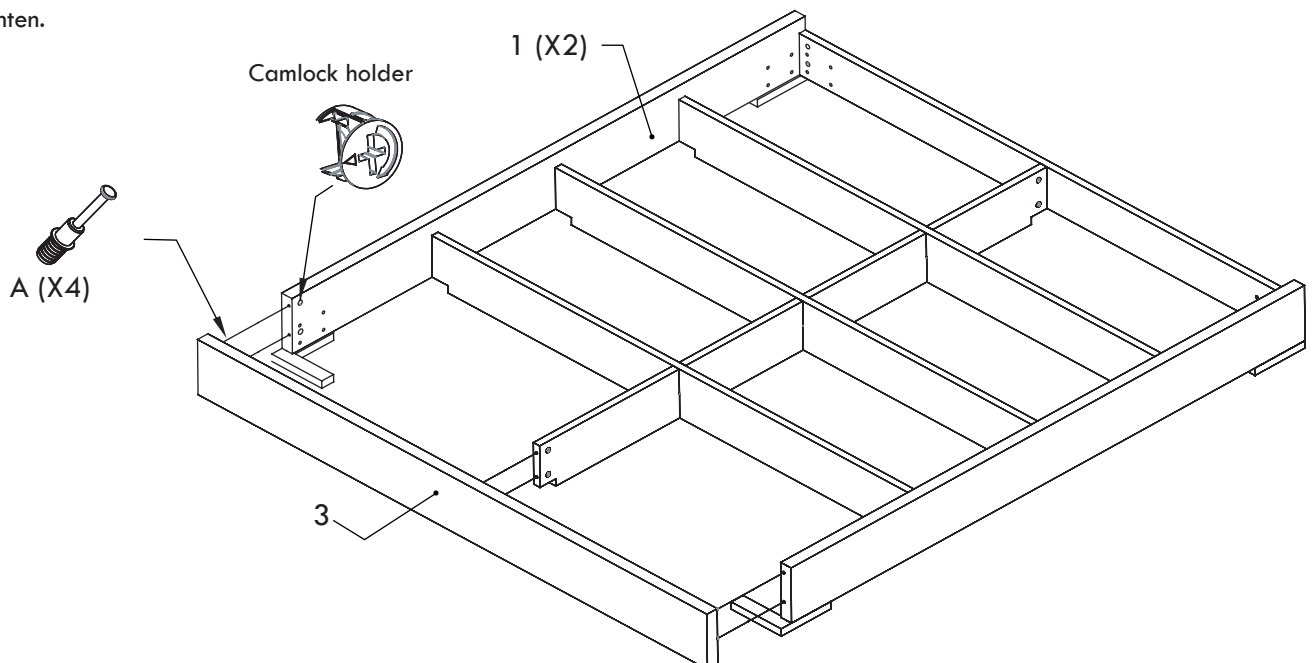
### STEP 3

- Drive and align one end of the central cross members ② and the end of the head-board member ⑦ with the camlock studs ① of one side ①.
- Tighten it.
- Repeat for the other side.



### STEP 4

- Insert 6 camlock ① in the footboard ③, drive them thru the bed while inserting the camlocks ① in the camlock holders on the long cross member and on each side.
- Tighten.



### STEP 5

- Install 1 corner bracket ⑥ on each corner using the screws ③ .
- Align the 4 holes of the bed head board with the holes of head board panel ⑦ .
- Insert 1 washer ④ , 1 hexagonal screw ⑤ in each of the 4 holes .
- Install 4 washers ④ on the screw, behind the bedhead board, follow with lock nut ⑥ .
- Adjust the head and tighten it.
- Put the 8 boards supporting the mattress on the bed.

