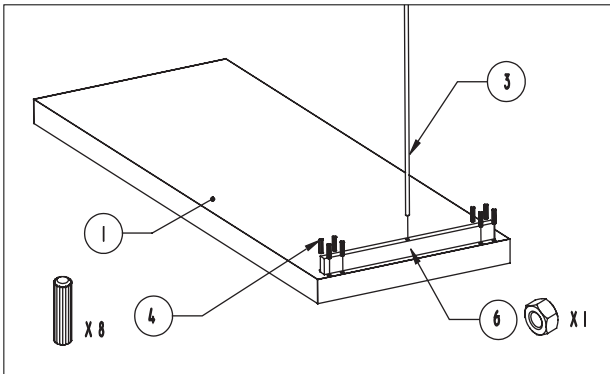


Extension (RA-6XXX)

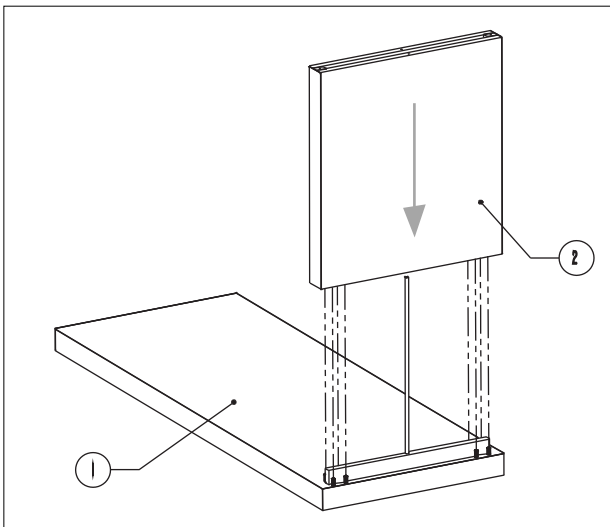
Description of included parts

①	Table extension	(X1)
②	Side panel	(X1)
③	Threaded rod	(X1)
④	Dowel	(X8)
⑤	Metal plate	(X1)
⑥	Hexagonal nut	(X2)
⑦	Leveler	(X2)



STEP 1

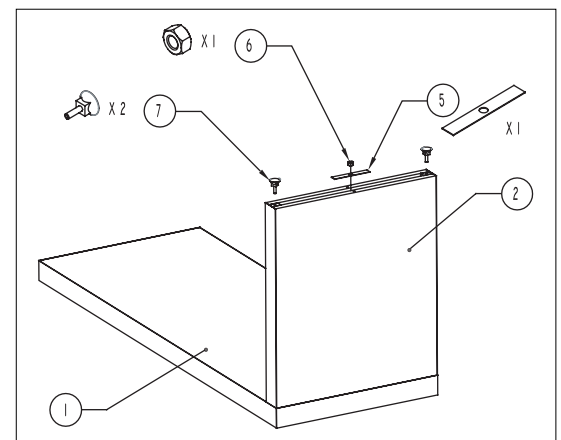
- Put the table extension ① upside down on a clean surface. Use a protector to avoid scratches.
- Insert 8 dowels ④ into the 8 holes.
- Install the threaded rod ③ in the hexagonal nut ⑥ .



STEP 2

- Install the side panel ② . Drive the threaded rod ③ thru the side panel ② and align it with the dowel ④ .

- Install the metal plate ⑤ at the base of the side panel ② over the rod ③ , using the screw ⑥ .
- Tighten it.
- Install the levelers ⑦ under the side panel.



STEP 3