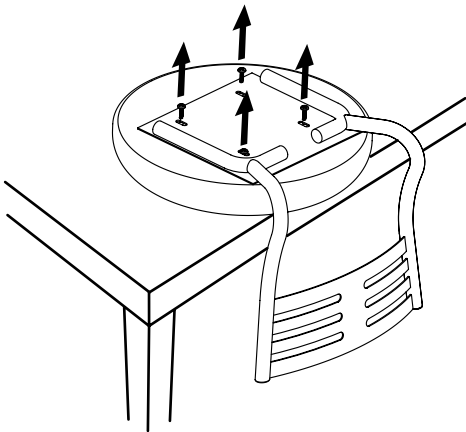


### Stool with a swivel base

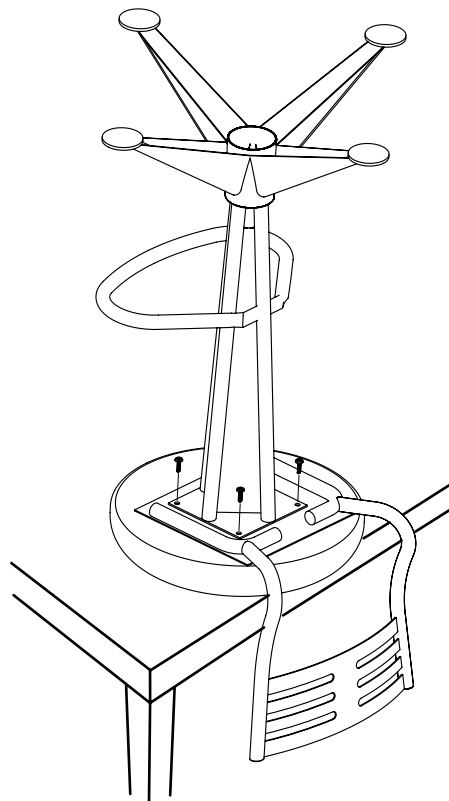
#### MATERIAL

- 1 seat
- 1 stool base
- 4 screws 1/4-20x3/4"
- 4 felts



#### STEP 1

- Turn upside down the seat and lean it against a protected work surface.
- Remove the 4 screws.



#### STEP 2

- Realign the holes of the backrest structure with the seat.
- Put the stool base down over the backrest structure and realign again all the holes together.
- Screw on each screw but do not tighten anyone before they are all installed.
- \* **CAUTION** : Do not push the screws when you are screwing on because you could push back the anchor nuts.

#### STEP 3

- Tighten all the screws and turn upside up the stool.