

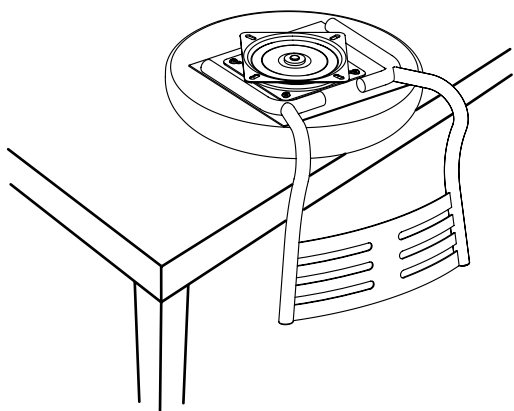
Stool with a swivel seat

MATERIAL

- 1 seat
- 1 stool base
- 4 screws 1/4-20x1/2"
- 4 nylon lock nuts 1/4"-20

STEP 1

- Turn upside down the seat and lean it against a protected work surface.



STEP 2

- Turn upside down the stool base and put it down on the swivel and align their holes together.
- Use the screws and the locknuts to fix the assembly.

STEP 3

- Tighten the nuts and turn upside up the stool.

